

SOFTLINE

SERIES



COLUMN
CONCEPT

50 Δ t

(75/65/20°C)

3 COLUMN

Height mm	Length mm	Elements	Stelrad UIN	Heat output	
				Watts	Btu/hr
600	628	13	563133	792	2703
	858	18	563134	1096	3741
	1042	22	563135	1340	4573
	1272	27	563136	1644	5611

4 COLUMN

Height mm	Length mm	Elements	Stelrad UIN	Heat output	
				Watts	Btu/hr
600	628	13	563140	1037	3539
	858	18	563141	1436	4901
	1042	22	563142	1756	5993
	1272	27	563143	2155	7355

Δ t50 is the UK's industry standard for heating outputs, which has an operating temperature of 75/65/20°C. If you have a low temperature heat source you may wish to consider Δ t40 or Δ t30 output (see your installer or system designer or download from stelradprofessional.com).

Due to production tolerances, the length of the product and therefore the tap centres could contain a variation of +/- 1.5% of the overall stated length.

For EN442 data, technical and installation information please visit stelradprofessional.com and search product downloads.



COLUMN CONCEPT



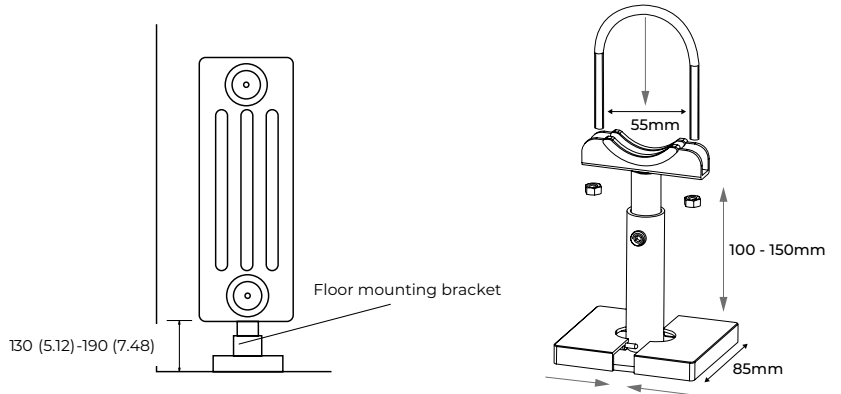
CLASSIC COLUMN HORIZONTAL FLOOR MOUNTING BRACKETS



UIN 148137 White
(sold in pairs)

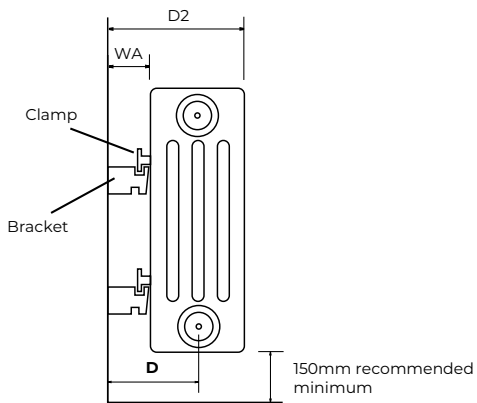
OPTIONAL FLOOR MOUNTING BRACKETS

All dimensions in mm. Inches in brackets.



BRACKET INSTALLATION

All dimensions in mm. Inches in brackets.



MEASUREMENTS USING 10mm CVD BRACKETS SLOT

Add 5mm if using 15mm slot

	WA	D	D2
3 Col	23	73	123
4 Col	23	91	159

BRACKETS AND CLAMPS REQUIRED

	No of Sections
4	0 - 23
6	24 - 41

Number of columns	Wall to centre of connections		Wall to front face of radiator
	Using 10mm bracket slot	Using 15mm bracket slot	
3	73	78	123 or 128
4	91	96	159 or 164

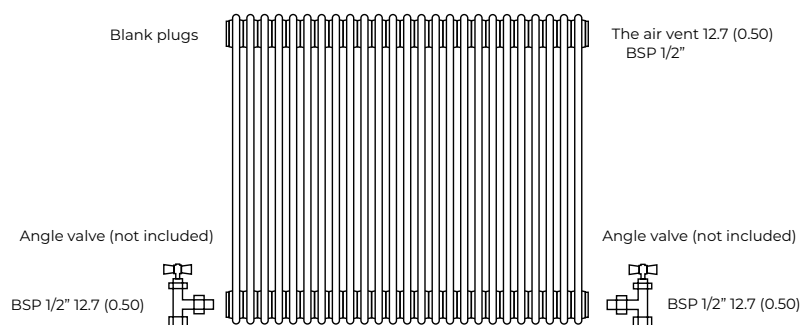
All sizes (approximate) in mm

CONNECTIONS

Each radiator comes with 1/2" inlet connections as standard.

VALVE INSTALLATION

All dimensions in mm. Inches in brackets.



Note: Factory fitted bushes are welded in place and not removable.
If installing TBOE (Top Bottom Opposite End) please note that the radiator MUST be inverted.

EN 442 CERTIFICATION DATA - CETIAT TESTED IN ACCORDANCE WITH BS EN 442

Type	3 Columns				4 Columns			
	300	500	600	750	300	500	600	750
Height	300	500	600	750	300	500	600	750
W/m at 75/65/20	678	1093	1289	1573	887	1431	1690	2062
n-coefficients	1.28	1.27	1.27	1.26	1.28	1.27	1.27	1.26
Heated surface area (m ² /m)	1.48	2.33	2.96	3.60	1.91	3.18	4.02	4.87
Weight (kg/m) - Elements	13.34	21.81	26.04	32.18	18.63	30.07	35.36	43.62
Weight (kg/m) - Ends	0.56	0.56	0.56	0.56	0.56	0.56	0.56	0.56
Water contents (l/m)	12.70	16.94	19.06	23.29	14.82	21.17	25.41	29.64
Wall to tap centre (mm)	73 / 78	73 / 78	73 / 78	73 / 78	91 / 96	91 / 96	91 / 96	91 / 96