

# SOFTLINE

SERIES



COLUMN  
VERTICAL  
CONCEPT

## 50 $\Delta$ t

(75/65/20°C)

### 2 COLUMN

Height mm	Length mm	Elements	Columns	Stelrad UIN	Heat output Watts	Heat output Btu/hr
<b>1800</b>	444	9	2	563155	1116	3809
<b>2000</b>	444	9	2	563157	1242	4239

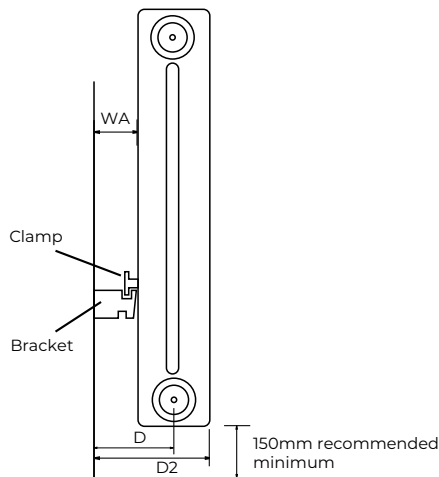
$\Delta t_{50}$  is the UK's industry standard for heating outputs, which has an operating temperature of 75/65/20°C. If you have a low temperature heat source you may wish to consider  $\Delta t_{40}$  or  $\Delta t_{30}$  output (see your installer or system designer or download from [stelradprofessional.com](http://stelradprofessional.com)).

Due to production tolerances, the length of the product and therefore the tap centres could contain a variation of +/- 1.5% of the overall stated length.

For EN442 data, technical and installation information please visit [stelradprofessional.com](http://stelradprofessional.com) and search product downloads.

### BRACKET INSTALLATION

All dimensions in mm. Inches in brackets.



### MEASUREMENTS USING 10mm CVD BRACKETS SLOT

Add 5mm if using 15mm slot

	WA	D	D2
2 Col	23	54	85

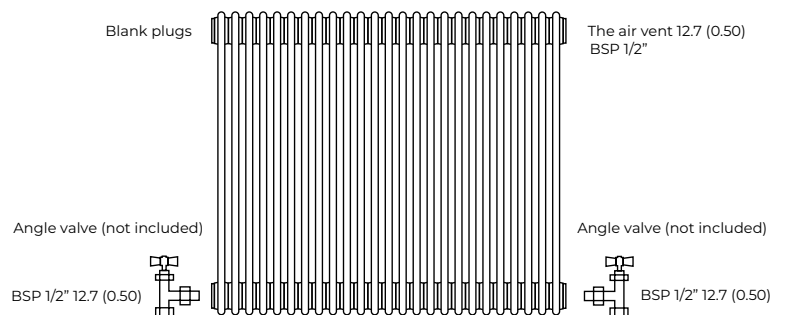
Number of columns	Wall to centre of connections		Wall to front face of radiator
	Using 10mm bracket slot	Using 15mm bracket slot	
2	54	59	85 or 90

### EN 442 CERTIFICATION DATA - CETIAT TESTED IN ACCORDANCE WITH BS EN 442

Type	2 Columns		
Height	1800	2000	2500
W/m at 75/65/20	2626	2922	3621
n-coefficients	1.29	1.28	1.28
Heated surface area (m <sup>2</sup> /m)	5.93	6.56	8.26
Weight (kg/m) - Elements	50.61	56.11	70.09
Weight (kg/m) - Ends	0.46	0.46	0.46
Water contents (l/m)	31.76	36.00	44.47
Wall to tap centre (mm)	54 / 59	54 / 59	54 / 59

### VALVE INSTALLATION

All dimensions in mm. Inches in brackets.



Note: Factory fitted bushes are welded in place and not removable. If installing TBOE (Top Bottom Opposite End) please note that the radiator MUST be inverted.

### CONNECTIONS

Each radiator comes with 1/2" inlet connections as standard.

