

# VITA

SERIES

CONCORD  
VERTICAL  
CONCEPT

## 50 $\Delta$ t

(75/65/20°C)

| Height<br>mm | Length<br>mm | Elements | SINGLE         |                      |                       | DOUBLE         |                      |                       |
|--------------|--------------|----------|----------------|----------------------|-----------------------|----------------|----------------------|-----------------------|
|              |              |          | Stelrad<br>UIN | Heat output<br>Watts | Heat output<br>Btu/hr | Stelrad<br>UIN | Heat output<br>Watts | Heat output<br>Btu/hr |
| <b>1800</b>  | 444          | 6        | 448652         | 852                  | 2907                  | 448655         | 1254                 | 4279                  |
|              | 592          | 8        | 448653         | 1136                 | 3876                  | 448656         | 1672                 | 5705                  |
|              | 740          | 10       | 448654         | 1420                 | 4845                  | 448657         | 2090                 | 7131                  |

$\Delta$ t50 is the UK's industry standard for heating outputs, which has an operating temperature of 75/65/20°C. If you have a low temperature heat source you may wish to consider  $\Delta$ t40 or  $\Delta$ t30 output (see your installer or system designer or download from [www.stelradprofessional.com](http://www.stelradprofessional.com)).

For EN442 data, technical and installation information please visit our website: [www.stelradprofessional.com](http://www.stelradprofessional.com) and search product downloads.



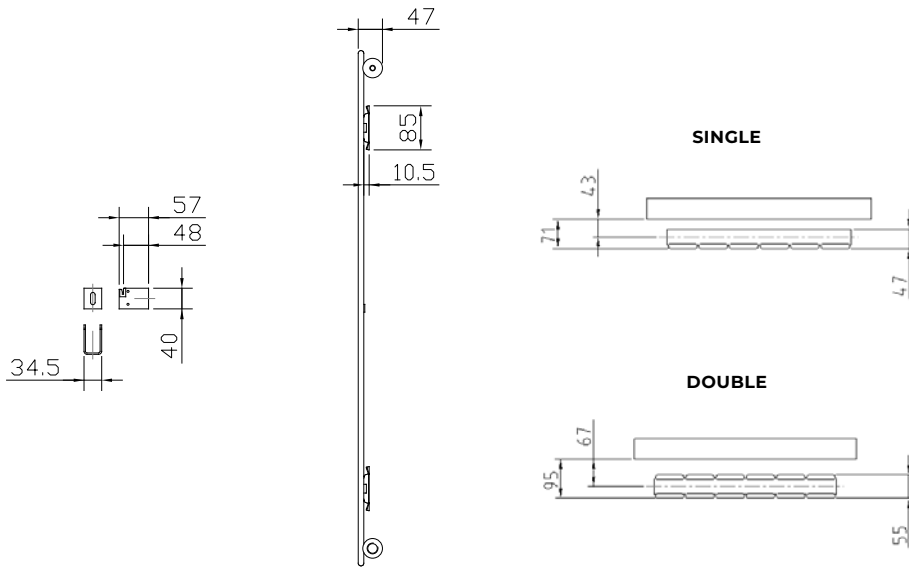
# CONCORD VERTICAL CONCEPT



## WALL MOUNTING INFORMATION

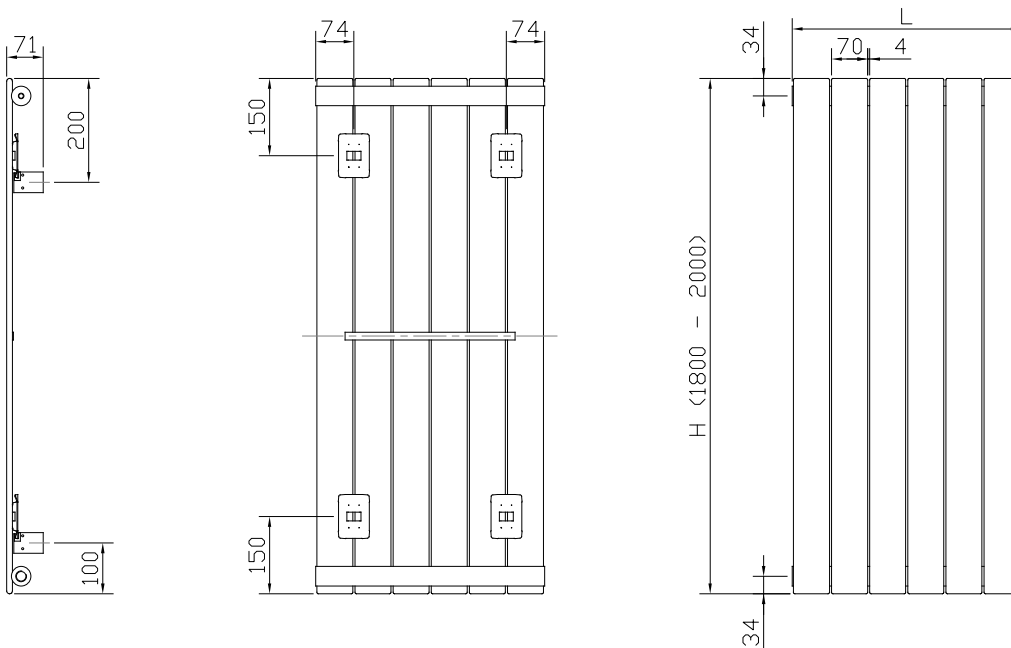
All dimensions in mm.

| Type            | From back of radiator to wall |          | From wall to centre of connections |          | From front of radiator to wall |          |
|-----------------|-------------------------------|----------|------------------------------------|----------|--------------------------------|----------|
| Single Vertical | 24mm                          | 0.98inch | 43mm                               | 1.69inch | 71mm                           | 2.80inch |
| Double Vertical | 40mm                          | 1.57inch | 67mm                               | 2.64inch | 95mm                           | 3.74inch |



## FIXING POSITIONS - SINGLE & DOUBLE

All dimensions in mm.



## CONNECTIONS

Each radiator comes with 1/2" inlet connections as standard.

## EN 442 CERTIFICATION DATA - CETIAT TESTED IN ACCORDANCE WITH BS EN 442

| Type                                    | Vertical |      |
|---|----------|------|
| Height                                  | 1800     | 2000 |
| W/m at 75/65/20                         | 1846     | 2041 |
| n-coefficients                          | 1.31     | 1.31 |
| Heated surface area (m <sup>2</sup> /m) | 4.01     | 4.42 |
| Weight (kg/m)                           | 44.2     | 49.4 |
| Water contents (l/m)                    | 14.3     | 16.9 |
| Wall to tap centre (mm)                 | 43       | 43   |

**STEEL THICKNESS 1.25mm**

## PIPING INSTRUCTIONS

