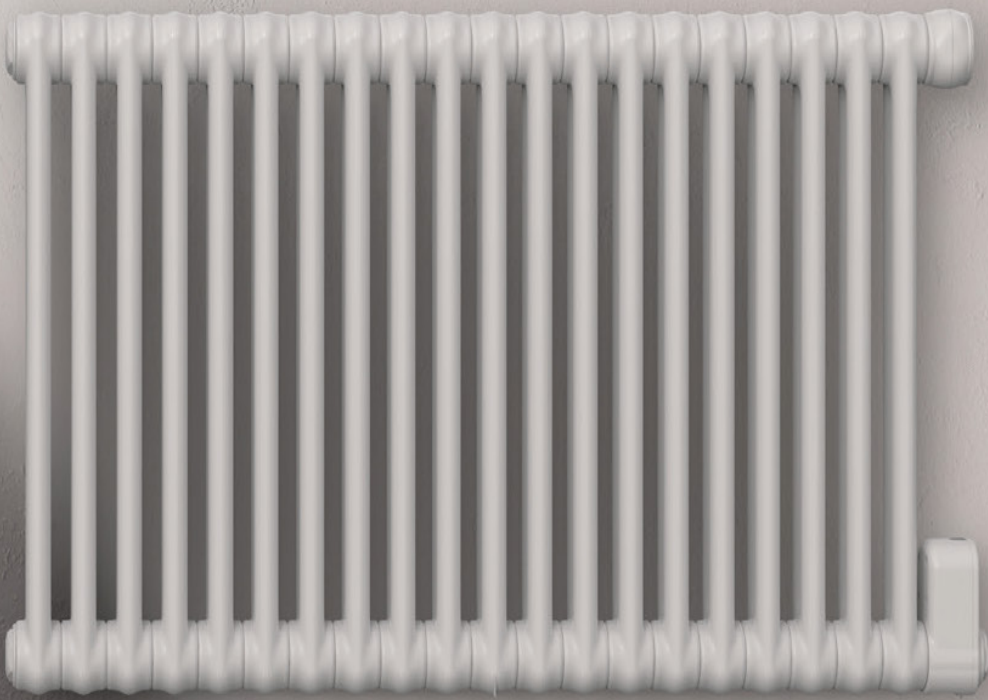


ELECTRiC[®]
SERIES



**COLUMN
ELECTRIC**

The Column Electric radiator is a timeless design made from steel; its rounded, vertical tubes blend into any room and any décor with ease. Every model comes with a magnetic thermostat which can be attached to the radiator or removed and used separately.

The columns are filled with a fluid which is heated up using an electrical element immersed in the fluid inside. This maintenance free and specially formulated fluid is designed to distribute the heat quickly and evenly across the radiator, which in turn emits the heat into your room through radiation.

Stelrad UIN	Colour	Height mm	Length mm	Heat output		Electric voltage - Frequency
				Power (Watts)	Btu/hr	
E001-0600-0740	White	600	740	1000	3414	230V - 50Hz
E001-0600-1020	White	600	1020	1500	5121	230V - 50Hz
E001-0600-1160	White	600	1160	1800	6145	230V - 50Hz
E002-0600-0740	Anthracite	600	740	1000	3414	230V - 50Hz
E002-0600-1020	Anthracite	600	1020	1500	5121	230V - 50Hz
E002-0600-1160	Anthracite	600	1160	1800	6145	230V - 50Hz

Removable control

The colour coordinated removable control is magnetically held in place at the top right hand side of the radiator. This also has the option to be removed and wall mounted with the supplied bracket.



Installation

This radiator must be wall mounted and must not be installed immediately below or in front of a power socket or in contact with the wall or floor. If installed within a bathroom, the radiator must be mounted outside zone 1 and the switch / electric control must be in zone 3.

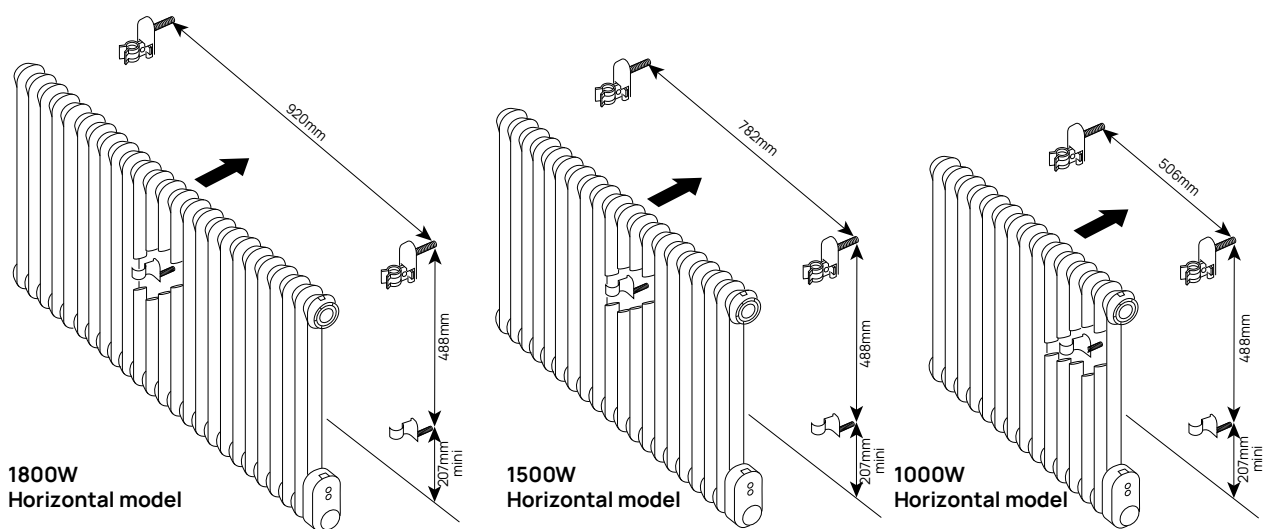
For further information, please visit stelrad.com

Please note: the cable entry point is situated on the bottom right-hand side.



Positioning and installing

- The appliance is designed to heat domestic rooms or similar. It must not be used for other purposes.
- The appliance must be used permanently mounted on a wall as described in the instructions.
- In bathrooms (with bath or shower), install the appliance outside zone 1.
- For radiators already fitted with power plugs. Before plugging into the mains socket, make sure that the voltage of your mains power supply matches the V value reported on the rating plate of the appliance and that the socket and power line are appropriate for the required load (also reported on the rating plate).
- Never install the appliance:
 - Immediately below or in front of a power socket or a junction box. Make sure the power cable is not in contact with the appliance
 - In contact with the wall or floor
 - Near curtains, flammable or combustible materials or pressure vessels.
- Make sure there are no pipes or electric wires in the wall which could be damaged while mounting the appliance.
- This product comes with a 900mm colour coordinated cable (no plug), so it can be spur wired to the heating circuit.
- Make sure the screws and anchors included in the mounting pack are suitable for the type of wall on which you are mounting the appliance. If in doubt, contact a qualified professional or your local dealer.
- During installation, make sure the power cable is disconnected from the power line.
- No need to maintain or service this product once installed. However, should any technical problems arise, contact a qualified professional or your local dealer. All operations on the appliance must be carried out by a qualified professional who before performing maintenance must make sure the appliance is turned off, cold and disconnected from the household mains.



Electrical connection

- The appliance requires a 230 V ~ 50 Hz power supply. Make sure the power line is appropriate for the data shown on the appliance's rating plate.

HEIGHT	LENGTH	WIDTH	POWER	A
600mm	719mm	66mm	1000W	4.5
600mm	995mm	66mm	1500W	6.5
600mm	1130mm	66mm	1800W	8.5

Product information

Voltage : 230 V ~ 50 Hz
Class of protection : II
Indice of protection: IP34

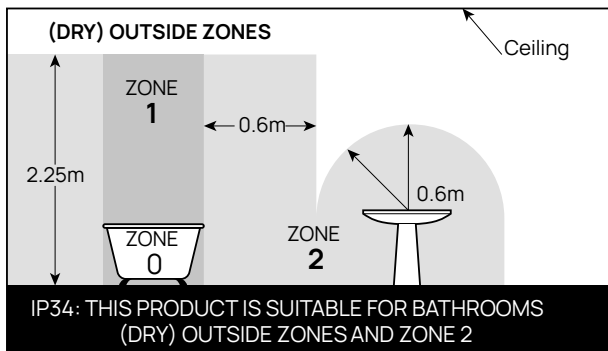
DO NOT wire/fit a plug to this appliance. The appliance must be electrically connected to a fused fixed spur, which is fitted with a 13Amp fuse.

All fittings must be installed by a competent person in accordance with the current IET Wiring Regulations (BS7671). If in doubt, consult a qualified electrician.

This product is suitable for use in living areas, and Bathroom (dry) outside Zones and zone 2 only (see diagram below and current IET Wiring Regulations for details). It is not suitable for Bathroom Zones 0 and 1. If being fitted in a bathroom a 30mA RCD must be used. This appliance does not come fitted/ supplied with a fused plug.

Always refer to the Reference Drawing for Bathroom Installation.

Note: the below drawing is for reference only.



Permanently connected appliances must be connected using a connector block placed within a proper junction box.

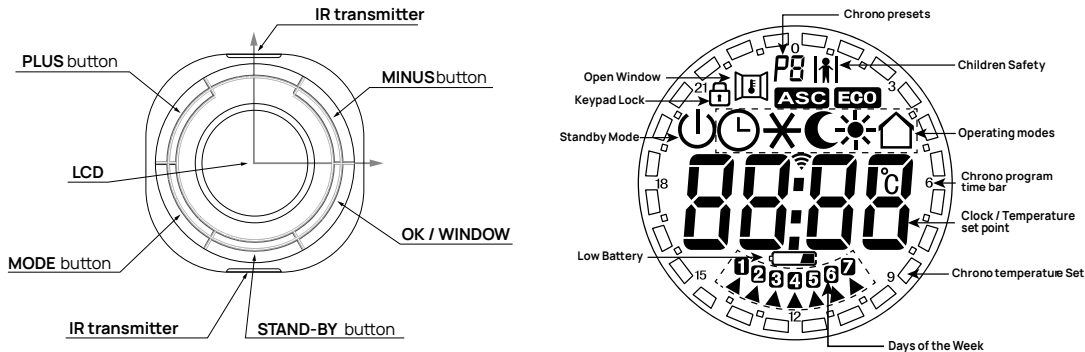
When installing the appliance in damp rooms (kitchen, bathroom), the point of connection with the household mains must be at least 25 cm from the floor.

If the Pilot Wire is not connected to the programming unit, it must be terminated and insulated. Under no circumstances should the Pilot Wire be connected to the earth.

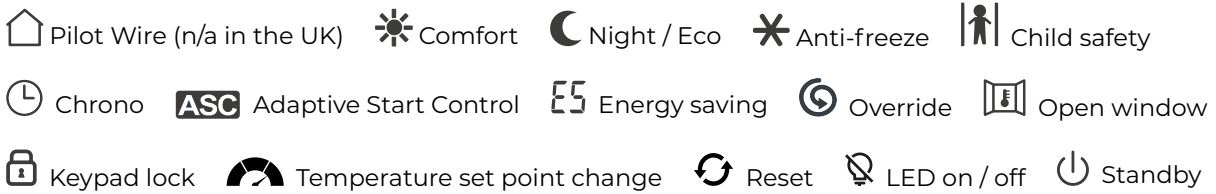
Make sure the power cable cannot in any way come into contact with the surface of the appliance.

Controls

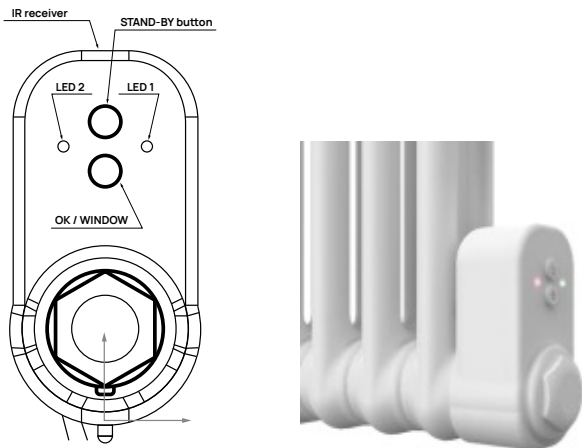
Electronic control



Operating modes

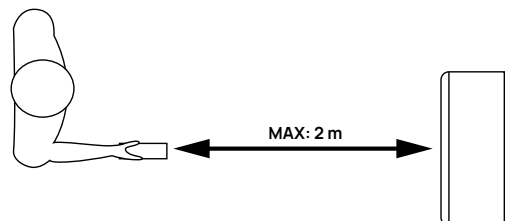


Power unit / receiver



Remote control

The remote control communicates with the appliance by infrared rays. For efficient communication, point the remote control at the receiver on the appliance). The distance between the remote control and the receiver must not be more than 2m.



The appliance responds to the commands received from the remote control with a beep lasting about 2 seconds.