

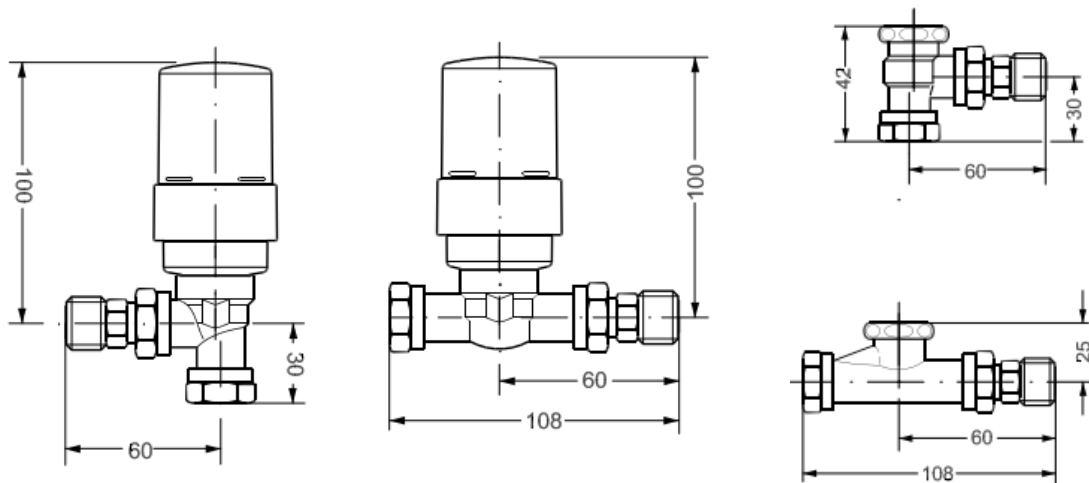
Thermostatic Radiator Valve (TRV) & Lock shield valve

Product Description:

A combination of a Bi-directional Thermostatic Radiator Valve (TRV) with either a white or chrome interchangeable sensor and a chrome lock shield valve for use on radiators and towel rails.

Designed for use on 2 pipe heating systems.

Product Overview:



Type	Stelrad: TRV & Lock shield valve
Certification	BS 5750
Construction	Valve body: Brass - chrome plated
Max working pressure	10 bar
Thread size : Tailpiece	½ BSP: Tapered
Connections to the pipe work	15mm
Temperature range	8°C to 28°C
Frost protection	8°C
Positive shut off	Setting "0"

Product Contents:

- 1 x Bi-directional Thermostatic radiator valve including nut and olive -15mm
- 1 x Lock shield valve including nut and olive -15mm
- 1 x White / Chrome sensor
- 2 x Tail pieces including nut and olive -15mm
- 1 x Protective cap
- 2 x 15mm to 10mm reducing inserts
- 1 x Allen key x 2mm