

VITA

SERIES



**COLUMN
VERTICAL
CONCEPT**

COLUMN VERTICAL CONCEPT



50 Δ t

(75/65/20°C)

2 COLUMN

Height mm	Length mm	Elements	Columns	Stelrad UIN	Heat output Watts	Btu/hr
1800	444	9	2	463155	1116	3809
2000	444	9	2	463157	1242	4239

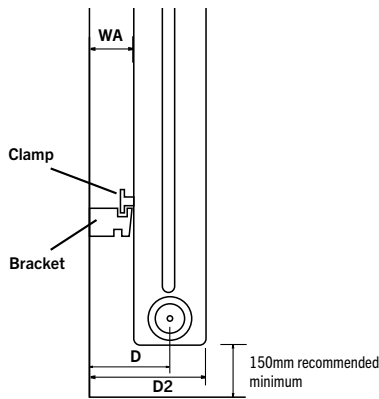
Δt_{50} is the UK's industry standard for heating outputs, which has an operating temperature of 75/65/20°C. If you have a low temperature heat source you may wish to consider Δt_{40} or Δt_{30} output (see your installer or system designer or download from stelradprofessional.com).

Due to production tolerances, the length of the product and therefore the tap centres could contain a variation of +/- 1.5% of the overall stated length.

For EN442 data, technical and installation information please visit stelradprofessional.com and search product downloads.

BRACKET INSTALLATION

All dimensions in mm. Inches in brackets.



MEASUREMENTS USING 10mm

CVD BRACKETS SLOT

Add 5mm if using 15mm slot

	WA	D	D2
2 Col	23	54	85

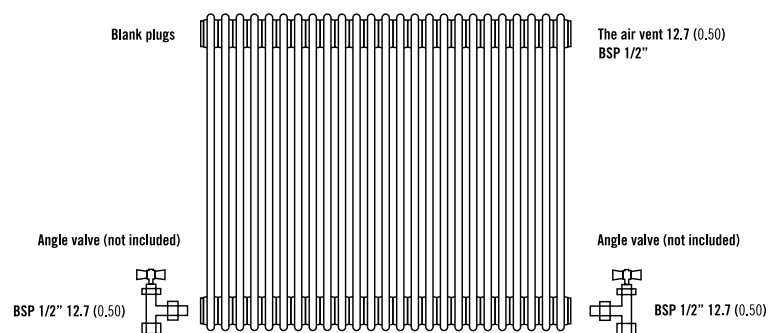
Number of columns	Wall to centre of connections		Wall to front face of radiator
	Using 10mm bracket slot	Using 15mm bracket slot	
2	54	59	85 or 90

EN 442 CERTIFICATION DATA - CETIAT TESTED IN ACCORDANCE WITH BS EN 442

Type	2 Columns		
Height	1800	2000	2500
W/m at 75/65/20	2626	2922	3621
n-coefficients	1.29	1.28	1.28
Heated surface area (m ² /m)	5.93	6.56	8.26
Weight (kg/m) - Elements	50.61	56.11	70.09
Weight (kg/m) - Ends	0.46	0.46	0.46
Water contents (l/m)	31.76	36.00	44.47
Wall to tap centre (mm)	54 / 59	54 / 59	54 / 59

VALVE INSTALLATION

All dimensions in mm. Inches in brackets.



Note: Factory fitted bushes are welded in place and not removable.
If installing TBOE (Top Bottom Opposite End) please note that the radiator MUST be inverted.

CONNECTIONS

Each radiator comes with 1/2" inlet connections as standard.



www.stelradprofessional.com

Telephone: 0800 876 6813