

VITA

SERIES



COMPACT
200

VITA COMPACT 200

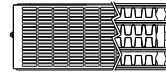


50 Δ t
(75/65/20°C)

K3



K4



Height mm	Length mm	Sections	K3			K4		
			Stelrad UIN	Heat output Watts	Heat output Btu/hr	Stelrad UIN	Heat output Watts	Heat output Btu/hr
200	800	24	76203308	746	2545	76204408	970	3310
	1000	30	76203310	933	3183	76204410	1212	4135
	1200	36	76203312	1120	3821	76204412	1454	4961
	1400	42	76203314	1306	4456	76204414	1697	5790
	1600	48	76203316	1493	5094	76204416	1939	6616
	1800	54	76203318	1679	5729	76204418	2182	7445
	2000	60	76203320	1866	6367	76204420	2424	8271

Δ t50 is the UK's industry standard for heating outputs, which has an operating temperature of 75/65/20°C. If you have a low temperature heat source you may wish to consider Δ t40 or Δ t30 output (see your installer or system designer or download from stelradprofessional.com).

For EN442 data, technical and installation information please visit stelradprofessional.com and search product downloads.

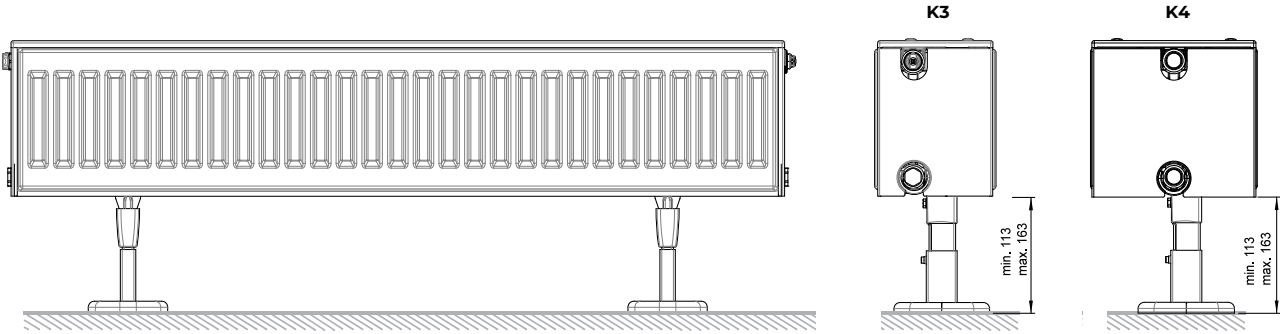


VITA COMPACT 200

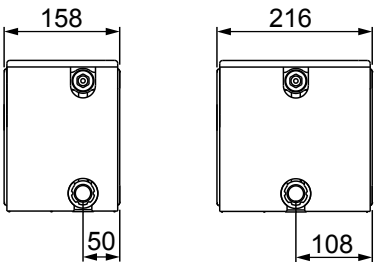


FLOOR MOUNTING INFORMATION

All dimensions in mm.

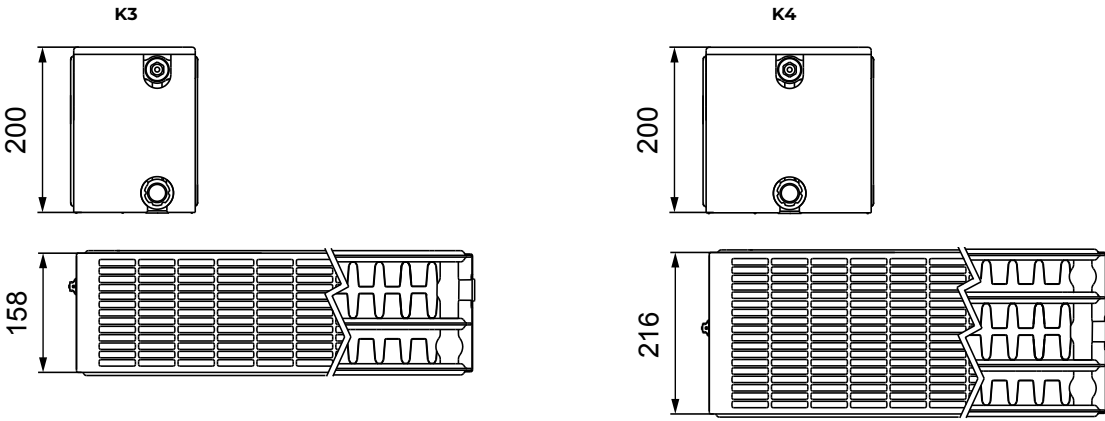


Floor mounting bracket comes as standard (200mm only).



PANEL INFORMATION

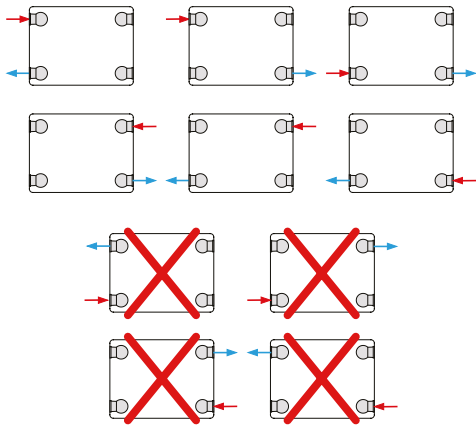
All dimensions in mm.



CONNECTIONS

Each radiator comes with 1/2" inlet connections as standard.

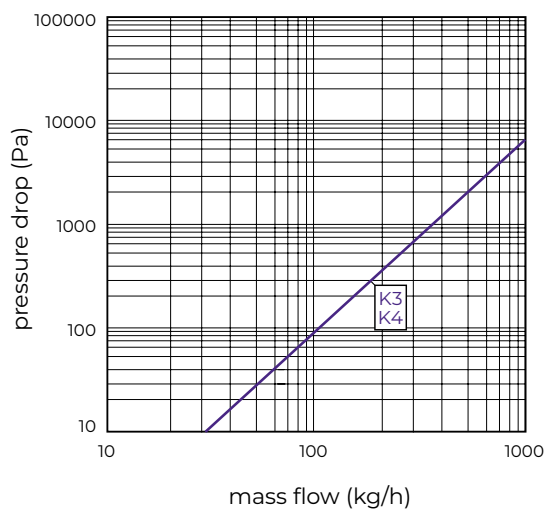
PIPING OPTIONS



EN 442 CERTIFICATION DATA - CETIAT TESTED IN ACCORDANCE WITH BS EN 442

Type	K3	K4
Height	200	200
W/m at 75/65/20	933	1212
n-coefficients	1.29	1.30
Heated surface area (m ² /m)	3.08	4.10
Weight (kg/m)	15.40	20.80
Water contents (l/m)	4.20	5.60
K _m	5.9610	7.4320

PRESSURE DROPS



Type	Kv
K3 / K4	3.65