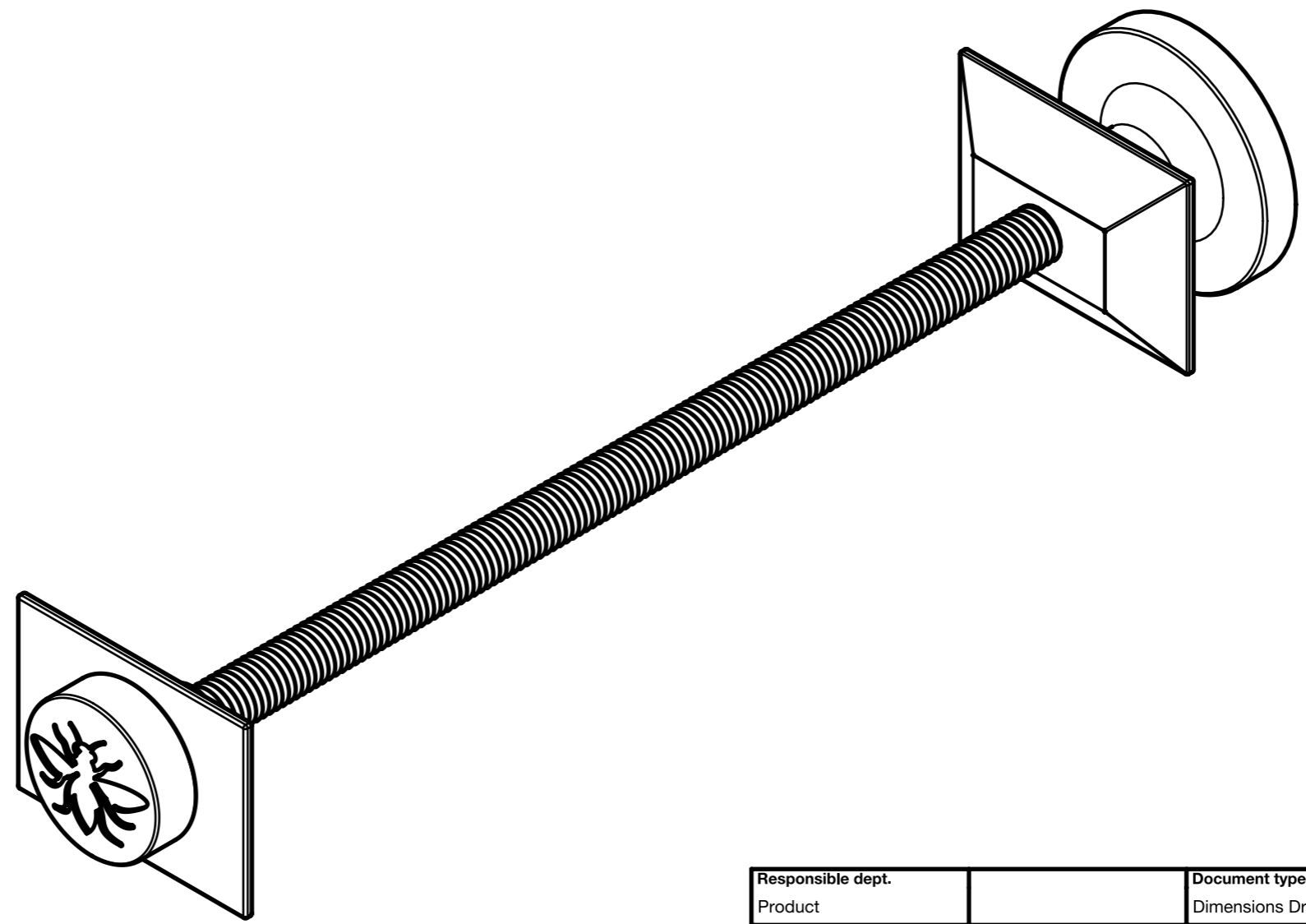
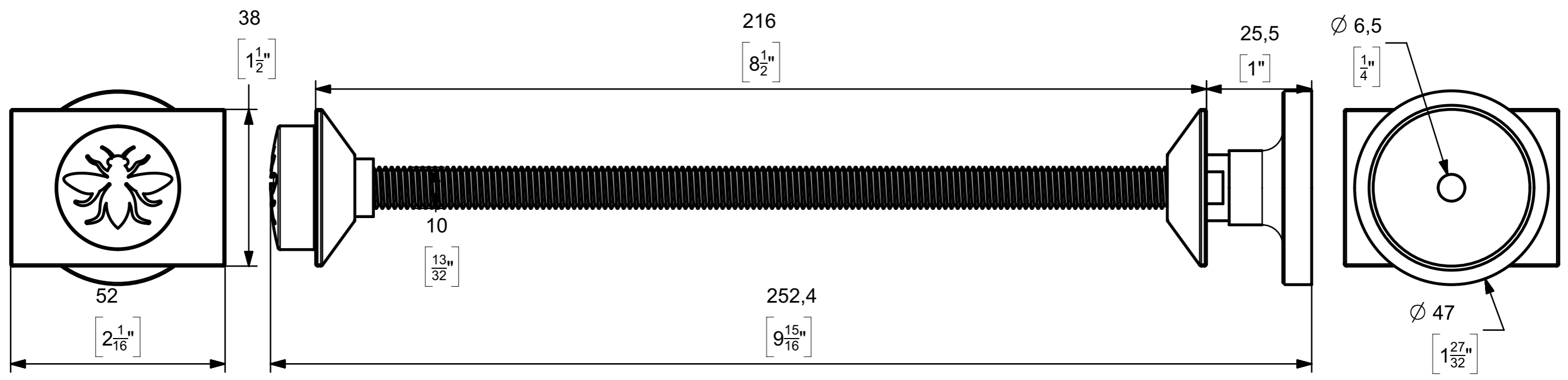



Notes
Dual dimensions are given in millimetres followed by [inches].



Responsible dept.		Document type	Document status	Material	Weight	Scale
Product		Dimensions Drawing	Public Release	Brass	KG	1:1
 Stelrad [®]			Title, supplementary title		262013	
			Stelrad Wall Stay		Rev.	Date of Issue
			A	01.04.2026	en	1/1

